

结构特点 Design features

- 单端面、多弹簧、平衡型、集装式、销钉传动结构，任意旋向，弹性元件不与介质接触，抗阻塞能力强。
- Single face, multiple spring, balanced, cartridge seal, pin transmission structure, any rotation direction, spring element no-touch medium, has a stronger antiblocking condition.

材料 Materials(to DIN24960)

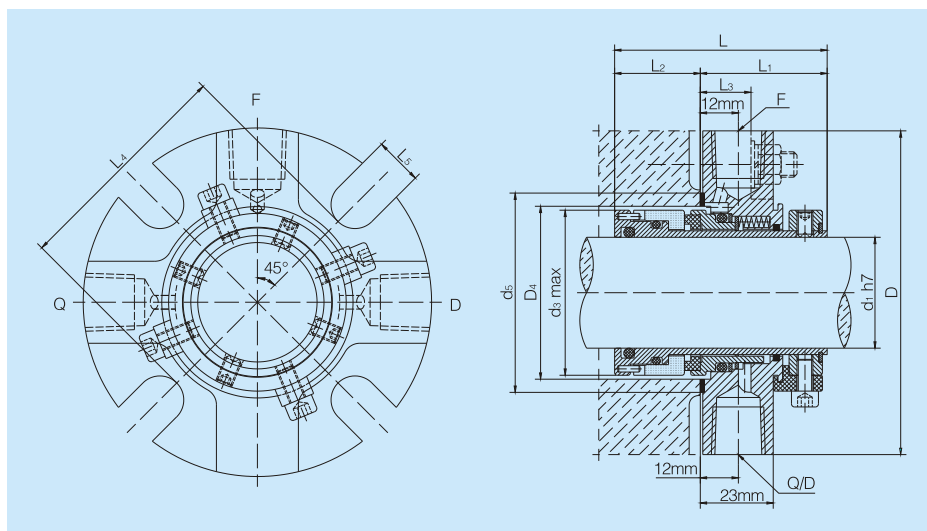
- 旋转环 Rotary Ring: U1、U2、Q1、Q2
- 静止环 Stationary Ring: A、B、U12、U22、Q12、Q22
- 辅助密封 Auxiliary Seal: P、E、M1
- 波纹管 Bellows: F、G
- 其他结构件材料 Other Parts: F、G

适用范围 Operating limits

- 压力 Pressure: $\leq 1.6\text{MPa}$
- 温度 Temperature: $-20\sim 180^{\circ}\text{C}$
- 线速度 Speeds: $\leq 20\text{m/sec}$
- 粘度 Viscosity: $\leq 1.0\text{Pa}\cdot\text{s}(1000\text{cp})$ 软对硬(Soft VS Hard)
 $\leq 3.5\text{Pa}\cdot\text{s}(3500\text{cp})$ 硬对硬(Hard VS Hard)

介质 Medium

油、水、污水、盐、酸、碱液、有机溶剂及其它弱腐蚀性溶液。
Oil, water, sewage water, salt, acid, alkali, organic solvent and other weak corrosive fluid, etc.



型号 Model	D ₁	D ₃	D _{4min}	D _{4max}	D ₅	D	L ₁	L ₂	L ₃	L ₄	L ₅	F/Q/D
SCS001-20	20	34	36	51	58	104	40	25	18	60	12	NPT 3/8
SCS001-24	24	38	40	51	58	104	40	25	18	60	12	NPT 3/8
SCS001-25	25	39	41	51	58	104	40	25	18	60	12	NPT 3/8
SCS001-28	28	42	44	56	63	108	40	27	18	65	12	NPT 3/8
SCS001-30	30	44	46	56	63	108	40	27	18	65	12	NPT 3/8
SCS001-33	33	49	51	66	73	118	40	27	16	75	14	NPT 3/8
SCS001-35	35	49	51	66	73	118	40	27	16	75	14	NPT 3/8
SCS001-38	38	54	56	66	73	118	40	27	16	75	14	NPT 3/8
SCS001-40	40	56	58	66	73	118	40	27	16	75	14	NPT 3/8
SCS001-43	43	59	61	71	78	128	40	27	16	80	14	NPT 3/8
SCS001-45	45	61	63	71	78	128	40	27	16	80	14	NPT 3/8
SCS001-48	48	66	68	81	88	138	40	27	16	90	14	NPT 3/8
SCS001-50	50	68	70	81	88	138	40	27	16	90	14	NPT 3/8
SCS001-53	53	71	73	81	88	138	40	27	16	90	14	NPT 3/8
SCS001-55	55	73	75	81	88	138	40	27	16	90	14	NPT 3/8
SCS001-58	58	76	78	96	103	164	43	31	14	105	18	NPT 3/8
SCS001-60	60	78	80	96	103	164	43	31	14	105	18	NPT 3/8
SCS001-63	63	82	84	96	103	164	43	31	14	105	18	NPT 3/8
SCS001-65	65	84	86	96	103	164	43	31	14	105	18	NPT 3/8
SCS001-70	70	90	92	102	109	178	43	31	14	111	18	NPT 3/8
SCS001-75	75	99	102	114	121	193	45	31	14	123	18	NPT 3/8
SCS001-80	80	104	107	114	121	193	45	31	14	123	18	NPT 3/8
SCS001-85	85	109	112	124	131	208	45	31	13	133	20	NPT 3/8
SCS001-90	90	114	117	124	131	208	45	31	13	133	20	NPT 3/8
SCS001-95	95	119	122	134	141	218	45	31	13	143	20	NPT 3/8
SCS001-100	100	124	127	134	141	218	45	31	13	143	20	NPT 3/8